



Solaris Paper®

Next Generation Recessed Mechanical Hands-Free Towel Dispenser



Manual towel dispensing unit. Designed for installation in existing recessed towel dispensers often found in commercial buildings of all types. This easy to install dispenser adds towel capacity while reducing maintenance and refilling time.

- Reduce paper cost up to 30% with LoCor 1000' roll towels versus standard multifold towels.*
- Extremely reliable mechanical pull dispensing mechanism
- Expanded retrofit options to wide range of recessed applications
- Accommodates all LoCor® Hard Wound Roll Towels
- No batteries needed
- A variety of filler panels available, ordered separately

*4000 standard LIVI Multifold Towels per case and 4 towels used per hand-dry compared to 3 LoCor roll towels (at 10.5"/L/towel) used per hand-dry at reasonable distributor margins..

SKU	Product Description	Finish	Case Dimensions	Qty	Case Wt	Product Dimensions	Product Wt
D68012-N	Recessed Mechanical Hands Free Towel Dispenser	Stainless	18.75" x 13.25" x 10.875"	1	8.96 lb.	16.44" x 12.53" x 9.51"	5.77 lb.

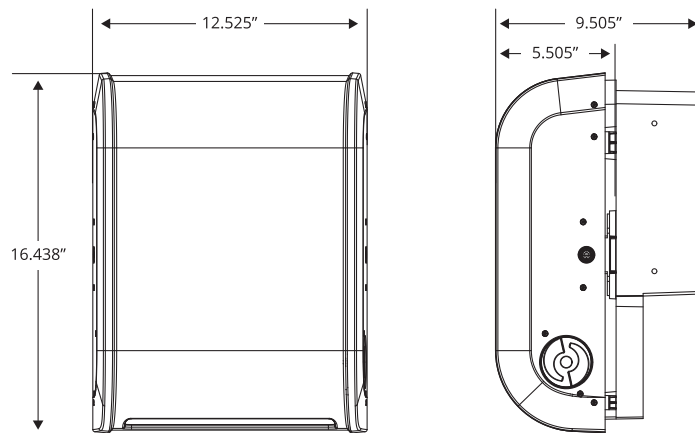


Premier Performance in a Mechanical Hands Free Dispenser



by SOLARIS PAPER®

Together, LoCor dispensers and the innovative reduced core design of LoCor towel and tissue products reduce labor, lower costs and create a cleaner, safer restroom. LoCor paper products are derived from Rapidly Renewable Fiber (RRF). RRF products contribute to an environmentally friendly building operation, and meet the requirements of the U.S. Green Building Council (USGBC) LEED standards.



SKU	Product Description	Color	Ply	Emboss	Size (WxL)	Count	Items/Case	Total Case
46896	LoCor® HWRT (Mid Premium)	White	1-Ply	Full	8" x 800"	800 ft.	6 rolls	4,800 ft.
46897	LoCor® HWRT (Mid Premium)	White	1-Ply	Full	7" x 800"	800 ft.	6 rolls	4,800 ft.
46898	LoCor® HWRT (Economy)	White	1-Ply	Full	7" x 850"	850 ft.	6 rolls	5,100 ft.
46901	LoCor® HWRT (High Capacity)	White	1-Ply	Full	8" x 1000'	1000 ft.	6 rolls	6,000 ft.
46902	LoCor® HWRT (High Capacity)	White	1-Ply	Full	7" x 1000'	1000 ft.	6 rolls	6,000 ft.
46903	LoCor® HWRT (High Capacity)	White	1-Ply	Full	7" x 700'	700 ft.	6 rolls	4,200 ft.
46904	LoCor® HWRT (High Capacity)	White	1-Ply	Full	7" x 1200'	1200 ft.	6 rolls	7,200 ft.



SolarisPaper.com/afh
1-888-998-4778